



## CHARACTERISTICS

- **STANDARD VERSION:**  
LOADING FILTER  
WITH GREASER
- STANDARD VERSION CAN BE  
INTEGRATED WITH UP TO  
THREE PUMPING ELEMENTS.
- **AVAILABLE PUMPING  
ELEMENTS:**  
FIXED Ø 8 MM WITH FLOW  
RATE OF 17 CM<sup>3</sup>/MIN;  
– ADJUSTABLE Ø 8 MM WITH  
FLOW RATE OF 17 CM<sup>3</sup>/MIN;  
**PRESSURE:** 300 BAR.  
**TANK:** 5-10 KG

## ADVANTAGES

- **REDUCTION OF COSTS:**  
SPECIFICALLY DESIGNED FOR  
APPLICATIONS THAT  
REQUIRE A COMPACT AND  
LOW-COST PRODUCT.
- **VERSATILE:** COMBINING  
THREE PUMP ELEMENTS FOR  
HIGHER OUTPUT OR  
MANAGE UP TO THREE  
LUBRICATION LINES.

## APPLICATION

- **SMALL-MEDIUM  
MACHINE TOOLS, SUCH AS  
CNC OR PRESS.**
- **WIDE RANGE OF  
APPLICATIONS  
INCLUDING:  
COMPACTORS, WOOD OR  
GLASS OPERATING  
MACHINES.**

## THE COMPACT, LOW-COST PUMP: IDEAL FOR MEDIUM-SMALL SYSTEMS

### COMPACT AND LOW COST

The **989 series** is ideal for application where space and costs are key factors. The pump integrates perfectly with the Sumo and Mini Sumo range of electric pumps, from which it inherits the main features, such as: modularity, quality and performance. For these reasons, Series 989 represents the perfect solution for an extensive range of applications.

### STANDARD EQUIPMENT

The standard version is ready equipped to satisfy the requirements in small-medium machine tools applications. The pump is complete with refilling filter, electric minimum level and a pumping element.



### FITS YOUR APPLICATION NEEDS

989 pump series can fit the changing needs of your application.

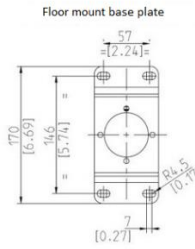
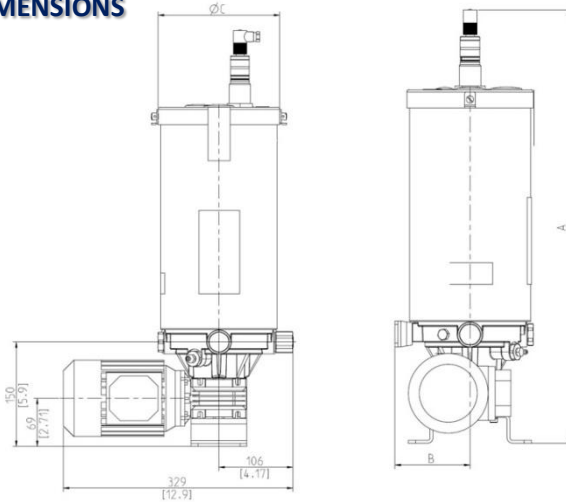
The availability of installing up to two pumping element (with fixed or adjustable delivery) gives you two different options: to triple the standard flow or connect three lubrication lines directly to the pump.

### TECHNICAL INFORMATION

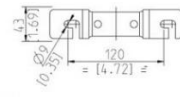
GENERAL SPECIFICATIONS	
Empty weight (5 kg reservoir)	15 kg ~ 33 lbs
Empty weight (10 kg reservoir)	18 kg ~ 40 lbs
ELECTRICAL SPECIFICATIONS	
Motor power supply	230-400V - ±10% 50Hz 280-480V - ±10% 60Hz 24V DC Insulation class F
Motor power rating	0.11 kW
Motor grade of protection	IP 54
Grease minimum level	Laser 24V cc Out NO and NC 1 threshold – Capacitive (optional greases NLGI00-NLGI000)
Oil minimum level	Float
Maximum level	Laser 24V cc Out NO and NC 1 threshold (optional)
HYDRAULIC SPECIFICATIONS	
Pumping system	Piston
Flow rate (1 pumping element)	17 cc/min (fixed) – 3~17 cc/min (adjustable)
No. of pumping elements	Max 3
Maximum operating pressures	300 bar (4351 psi)
Outlet connection	1/4" BSP
Reservoir capacity	5-10 kg (11-22 lbs)
Filling filter	Filtering grade 220 µ
Operating temperature	- 10 ÷ + 50 °C (+14~122F)
Operating humidity	90% R.H.
Permitted lubricants <sup>(1)</sup>	grease NLGI000~NLGI2 – Oil min 32 cst
Storage temperature	-40 ÷ +65 °C (-40~149F)
Continuous sound pressure level	< 70 dB(A)



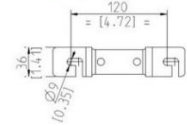
**DIMENSIONS**



Wall mount base plate 10 KG



Wall mount base plate 5 KG



	5 kg	10 kg
A – mm [in]	596 [23.4]	648 [25.5]
B – mm [in]	103.5 [4]	122.5 [4.8]
C – mm [in]	175 [6.88]	230 [9]

**ORDERING INFORMATION**

PUMP 989 v2			Base data	4°	5°/6°	7°	8°	9°	10°	11°
			989 v2	0	00	0	0	0	0	0
	Description	DROPSA Code	CODE							
Reservoir	Without reservoir	-	0							
	5kg	0297402	1							
	10kg	0297408	2							
Electric motor	Motor not present	-	00							
	STANDARD	3301000	01							
	3PH-230/400V 50Hz 280/480V 60Hz									
	3PH-440V-60Hz	3301000-440V-60HZ	02							
	3PH-460V-60Hz	3301000-460V-60HZ	03							
	1PH-110V-60Hz	3140867	04							
	3PH-230/400V 50Hz 280/480V 60Hz UL-CSA	3301730	05							
	24V CC	3301801	10							
Pumping elements	Without pumping elements	0297418 (x3)	0							
	One fixed flow rate pumping element	0297420+0297418 (x2)	1							
	Two fixed flow rate pumping elements	0297420 (x2)+0297418	2							
	Three fixed flow rate pumping elements	0297420	3							
	One adjustable flow rate pumping element	0297430+0297418 (x2)	4							
	Two adjustable flow rate pumping elements	0297430 (x2)+0297418	5							
	Three adjustable flow rate pumping elements	0297430	6							
Minimum level	STANDARD GREASE VERSION with laser sensor 0295131, 24Vdc Out NO and NC (1 threshold)	3133885	0							
	Capacitive level (5kg) grease NLGI00/NLGI000	0297409	1							
	Capacitive level (10kg) grease NLGI00/NLGI000	0297425	2							
	Float level (5kg) oil	1655767, -3079041, -1523807	3							
	Float level (10kg) oil	1655768, -3079041, -1523807								
Maximum level	the standard pump is supplied without the max level	-	0							
	Laser 24V cc Out NO and NC (1 threshold)	3133885	1							

**OPTIONAL KITS AND ACCESSORIES**

CODE	DESCRIPTION	CODE	DESCRIPTION
0297420C	Fixed flow rate pumping element 17 cc/min	**0299450	External By-Pass 0~250 bar
0297430C	Adjustable flow rate pumping element 3~17 cc/min	0086450	Hydraulic inverter 60~300 bar
3133885	Laser Kit 24V cc Out NO and NC (1 threshold)	0020551	Pressure gauge 0~250 bar
3133886	Pallet kit	3292099	Pressure gauge 0~400 bar
*0888036	External By-Pass 0~250 bar		

\* Available for 2-3 outlet with fixed pumps \*\* To be fastened to the pallet (3 inputs)

C2287PE WK 51/21

DropSA products can be purchased at DropSA branches and authorised distributors. Go to [www.dropsa.com/contact](http://www.dropsa.com/contact) or write to [sales@dropsa.com](mailto:sales@dropsa.com)

[www.dropsa.com](http://www.dropsa.com)

Distributor Info: