

CHARACTERISTICS

- FOR OIL
- COMPATIBLE WITH SYSTEM 01 VALVE 33 SYSTEM 26
- RESERVOIR CAPACITY: 3-6 LITRES
- FLOW RATE: 350-500 CM³/MIN
- BUILT-IN RELEASE VALVE
- BUILT-IN PRESSURE CONTROL VALVE

GEAR MOTOR ELECTRICAL PUMP FOR AUTOMATIC LUBRICATION SYSTEMS

The **Dragon** pump series is specifically indicated, due to its compactness and versatility, for lubrication systems for presses, machine tools, reducers, guides, chains, etc.

Dragon is a gear motor pump, available in TWO VERSION: the first with a flow rate of 350 cm³/min, the second with a flow rate of 500 cm³/min, values considered at 1.500 rpm.

This type of pump is tailored to customers' most diverse needs, thanks to a wide range of electric motors and reservoirs available.



There are three different basic versions:

- For lubrication systems with injectors and circulations systems with operating pressures of <20 bar (290 psi) – system 01.
- With a built-in release valve for lubeication systems equipped with “direct response” dosers, with operating pressures of <50 bar (735 psi) – systems 33V
- For progressive lubrication systems with circulation systems controlled by progressive dosers with operating pressures of <70 bar (1015 psi) – system 26.

Maximum pressure:

- Intermittent service is at 70 bar with a three-phase motor; 40 bar with a single-phase motor; maximum operation time of 5 minutes, pause with a ratio of 1:1.
- Continuous service is at 30 bar, with both a single-phase and three-phase motor.

Pressures are based on the type of lubricant, the voltage and timing of the motor.

The system must only be used with mineral lubricating oil, with a viscosity of 15 to 1000 cSt (at operating temperature); it is also possible to use NLGI 000 grease with a capacitive probe.

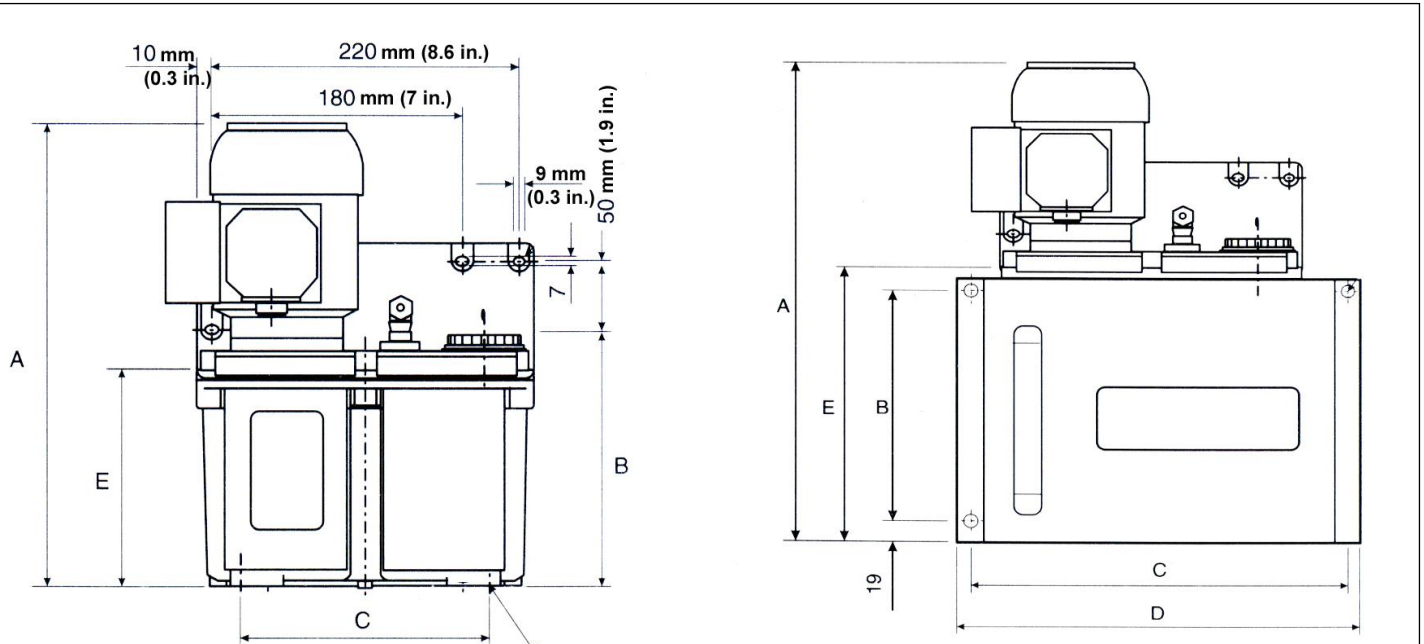
APPLICATIONS

- PRESSES, MACHINES
- TOOLS
- REDUCERS
- GUIDES
- CHAINS

TECHNICAL FEATURES

Reservoir capacity	3 litres in anti-oil transparent plastic 3 litres in alimunium with visual level 6 litres in anti-oil transparent plastic 6 litres in painted steel with visual level
Compatible lubricants	Mineral oils 15 - 1000 cSt Liquid grease NLGI 000
Storage Temperature	-20 ÷ +65 °C
Power voltages	110 / 220 V CA 50 Hz single-phase 220 ÷ 440 V CA 50/60 Hz three-phase
Absorption	90 W
Output signals	Minimum level contact max 220 V 3A NA / NC
Operating temperature	+ 5 °C ÷ + 60 °C
Operating humidity	90% maximum relative humidity
Electrical protection	IP 55
Continuous sound pressure level	< 70 dB (A)

DIMENSIONS



3-LITRE PLASTIC MATERIAL RESERVOIR		
	mm	inches
a	337.5	13.28
b	187	7.36
c	177.8x101.5	7.0x3.96
D	240	9.45
E	160.5	7.00

3-LITRE ALUMINIUM RESERVOIR		
	mm	inches
a	330	12.99
b	179	7.05
c	177.8x101.5	7.0x3.96
D	240	9.45
E	152.5	6.0

3-LITRE PLASTIC MATERIAL RESERVOIR		
	mm	inches
a	430.5	16.9
b	280	11
c	177.8x101.5	7.0x3.96
D	240	9.45
E	253.5	9.9

3-LITRE ALUMINIUM RESERVOIR		
	mm	inches
a	421	16.5
b	205	8.0
c	305	12.0
D	327	12.8
E	243.5	9.5

ORDER INFORMATION

MOTOR	CAPACITY	RESERVOIR	SYSTEM 01	SYSTEM 33V	SYSTEM 26
THREE-PHASE MULTI-TENSION	350	3 transp.	3901050	3902050	3903050
		6 nylon	3901052	3902052	3903052
	500	3 transp.	3901054	3902054	3903054
		6 nylon	3901056	3902056	3903056
SINGLE-PHASE	350	3 transp.	3901070	3902070	3903070
		6 nylon	3901072	3902072	3903072
	500	3 transp.	3901074	3902074	3903074
		6 nylon	3901076	3902076	3903076

ACCESSORIES

	DESCRIPTION	CODE
Two versions can be mounted according to the lubrication system: line 01 for uses with low pressures, 33v, line 26 for higher pressures.	Pressure gauge (0 25 bar)	0020566
	Pressure gauge (0 100 bar)	0020564
Two versions can be mounted according to the lubrication system: 10 ÷20 bar for uses with low pressures, 20 50 bar for higher pressures.	Pressure switch (low pressures)	3291028
	Pressure switch (high pressures)	3291022
It is also possible to provide a control panel as a pump accessory known as "VIP5" which enables various functioning parameters to be controlled: pressure switch (01.33v), cycle control (26), min. level, operating time setting and pause.	Control panel (single-phase 110Vac)	1639142
	Control panel (single-phase 230Vac)	1639140
	Control panel (three-phase)	1639152
It is necessary to predict when the pressure gauge and pressure switch are installed	Adjustable terminale	3085230

Distributor Info: