



FEATURES

- **3 OPERATING MODES: CYCLE, PULSE AND FLOW.**
- **INTEGRATED LCD – ALL OPERATING VALUES SET BY SIMPLE MENU PARAMETERS**
- **COMPLETE CONTROL AND PROFILING OF HOW STANDBY AND LUBRICATION OCCURS**
- **MULTI-CYCLE CAPABLE**
- **PRESSURE SWITCH MONITORING FOR INJECTOR SYSTEMS**
- **PROGRESSIVE CYCLE SWITCH MONITORING, SUCH AS DROPSA ULTRASENSOR**
- **DUAL LINE PRESSURE MONITORING ON BOTH LINES VIA P1 AND P2 INPUTS**
- **NPN, PNP, NAMUR AND SIMPLE SWITCH INPUTS CAN BE CONNECTED.**
- **MIN/MAX LEVEL MONITORING**
- **PRELUBE FUNCTION**
- **PULSE MODE ALLOWS BOTH STANDBY AND LUBRICATION PHASES TO CONTROLLED BY AN EXTERNAL SIGNAL WHILST MONITORING THE LUBRICATION CYCLE SENSOR**
- **FLOW MODE ALLOWS THE VIP5 TO BECOME A SIMPLE FLOW AND TOTAL FLOW DISPLAY UNIT WITH MIN/MAX FLOW ALARMS**
- **CODED REMOTE ALARM SYSTEM**
- **4..20MA LEVEL INPUT**
- **CONSTANT OR CONFIGURABLE PULSED PUMP OUTPUT.**

APPLICATIONS

- **SIMPLE ON/OFF LUBRICATION SYSTEMS**
- **SINGLE LINE INJECTOR OR PROGRESSIVE SYSTEMS.**
- **DUAL LINE SYSTEMS.**
- **SIMPLE FLOW DISPLAY AND MONITORING SYSTEM**

A FEATURE PACKED COMPACT ADVANCED LUBRICATION CONTROLLER FOR SMALL AND MEDIUM LUBRICATION SYSTEMS

The VIP5 controller has been designed with an extensive set of parameters that offer unrivalled ease and flexibility for controlling and monitoring your automatic lubrication system – from a simple timed system, injector, progressive or dual line system.

Three operating modes have been designed into the VIP5 to offer control possibilities not found elsewhere in a single, compact and affordable unit.

NO NEED FOR MANY DIFFERENT VERSIONS OF CONTROLLERS ANY LONGER – THE VIP5 DOES IT ALL.



3 BRAND NEW OPERATING MODES:

CYCLE MODE:

This “conventional” operating mode allows the lubrication system to remain on standby either with a time based system, an external signal or a combination of both. When using a combined mode you can decide if the timer should initiate a Lubrication cycle or flag an alarm condition because no signal has been detected within the timeout.

PULSE MODE:

This new operating mode allows the external signal to drive both the Standby and Lubrication Phase whilst allowing you to connect your cycle or pressure switch to monitor that your system is operating correctly for the entire duration of the Lubrication Phase. A Suspend Timer function allows the system to suspend the lubrication phase if the driving external signal ceases.

This operating mode is ideal for chain or conveyor lubrication where the amount of lubrication is determined by the movement of the conveyor, yet the correct output of lubricant is determined by a cycle or pressure switch connected to the metering devices.

FLOW MODE:

Another new operating mode turns your VIP5 controller into a simple Flow Measuring device. Simply set the flow value and units that each impulse represents and the VIP5 display turns into a flow meter instantly display the flow rate going through your system.

A Minimum and Maximum Flow level can be set to give you a local and remote alarm

KEEPING AN EYE ON YOUR SYSTEM:

IN ALL THE ABOVE MODES, ONCE YOU SET THE FLOW VALUE PER INPUT CYCLE YOU AUTOMATICALLY GET A SERIES OF COUNTERS THAT LET YOU KNOW THE TOTAL FLOW IN THE LAST HOUR AND THE LAST DAY. ADDITIONALLY A RESETTABLE AND NON-RESETTABLE COUNTER ALLOW YOU TO MONITOR TOTAL LUBRICANT METERED SINCE INSTALLATION OR COUNTER RESET.



3 BRAND NEW OPERATING MODES:

MULTICYCLE:

Engineering Lubrication systems can be tricky when you are trying to get the right amount of lubricant to each point in a single cycle, but with the MultiCycle feature you can run multiple Lubrication Cycles during a Lubrication Phase making system engineering much simpler.

SUSPEND FUNCTION:

When using VIP5 in Cycle mode, the PULSE input can be used to suspend the Lubrication Cycle.

This is useful when you are carrying, for example out a tool change, or in a conveyor lubrication where the conveyor stops during a lubrication cycle. The SUSPEND Cycle, will then see the pulses are no longer being received and put the system in suspend. In time based system, the Suspend can be a remote input that is given by the machine to halt the timers.

STATUS SAVE FEATURE:

When the unit is powered down it can save its current status, so that when it is powered back up, it can continue from where it left off – even if it was in the middle of a lubrication cycle.

CONFIGURABLE STOP CONDITIONS:

The VIP5 allows you decide which alarm conditions should halt the lubrication system.

BOOST FUNCTION:

Any system that has some form of condition monitoring can use the boost function to automatically increase the lubrication level if the Boost input is closed.

You can configure how many extra lubrication cycles should be activated when a Boost condition occurs

PUMP OUTPUT CONFIGURATION:

The VIP5 not only offers the possibility of controlling a constant signal output pump, for example an electric gear pump, but also a single acting pneumatic pump using a pulsed output signal for the solenoid. The new features however allows you to configure the exact duration of the ON and OFF portion of the pulse, in 0.1 second steps.

REMOTE ALARM OPTIONS, INCLUDING CODED OUTPUT

As well as having a N.O. and N.C. relay contact for a remote alarm connection and the ability to use it in a normal or inverted conditions (example audible signal or remote light) the VIP5 has the ability to send a coded signal.

When Coded alarm signal is selected the VIP5 pulses the alarm contact with the Alarm error code that is shown on the display. This means that the remote PLC can count the pulses and interpret what kind of alarm is being given rather than a generic alarm as on other systems.

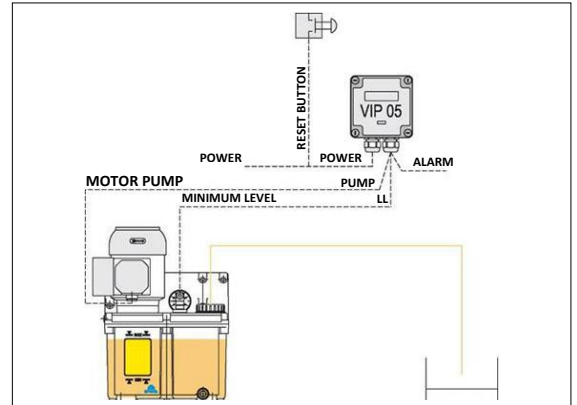
NEW LEVEL SENSING OPTIONS WITH ANALOG INPUTS

A 4..20mA Input is provided and can be used for continuous level sensing to provide both low and high level sensing in the lubricant reservoir.

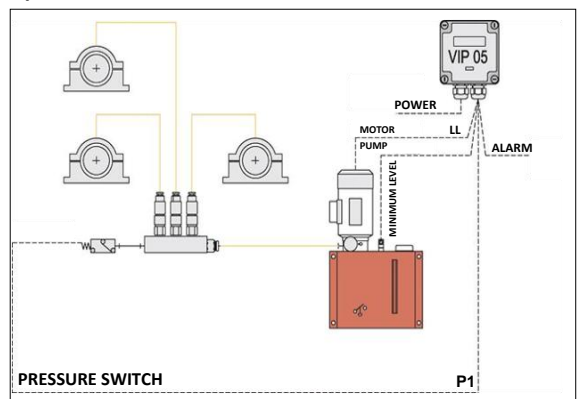
Additionally, the VIP5 contains a level alarm grace period that is required when resetting the low level on some more complex level measurement systems, for example on the Bravo Pump or 777 Series Pump. This allows the impeller to rotate for a short period of time (settable by the user) to clear the low level condition and restart normal operation.

Level switch is also software settable to indicate if the low level switch is N.O. or N.C. type.

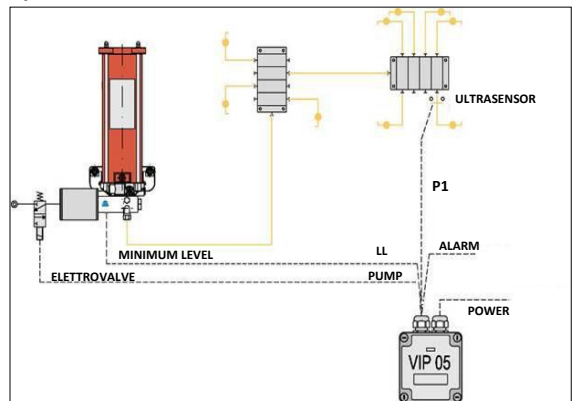
1) TIMER – TIME ONLY



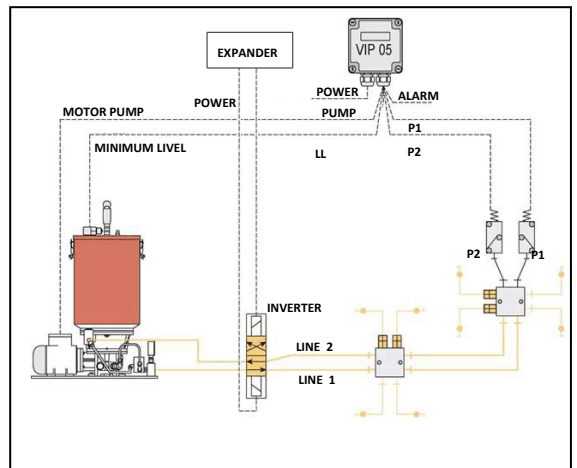
2) PS – PRESSURE SWITCH



3) SEP – SERIES PROGRESSIVE



4) TIMER – DUAL LINE

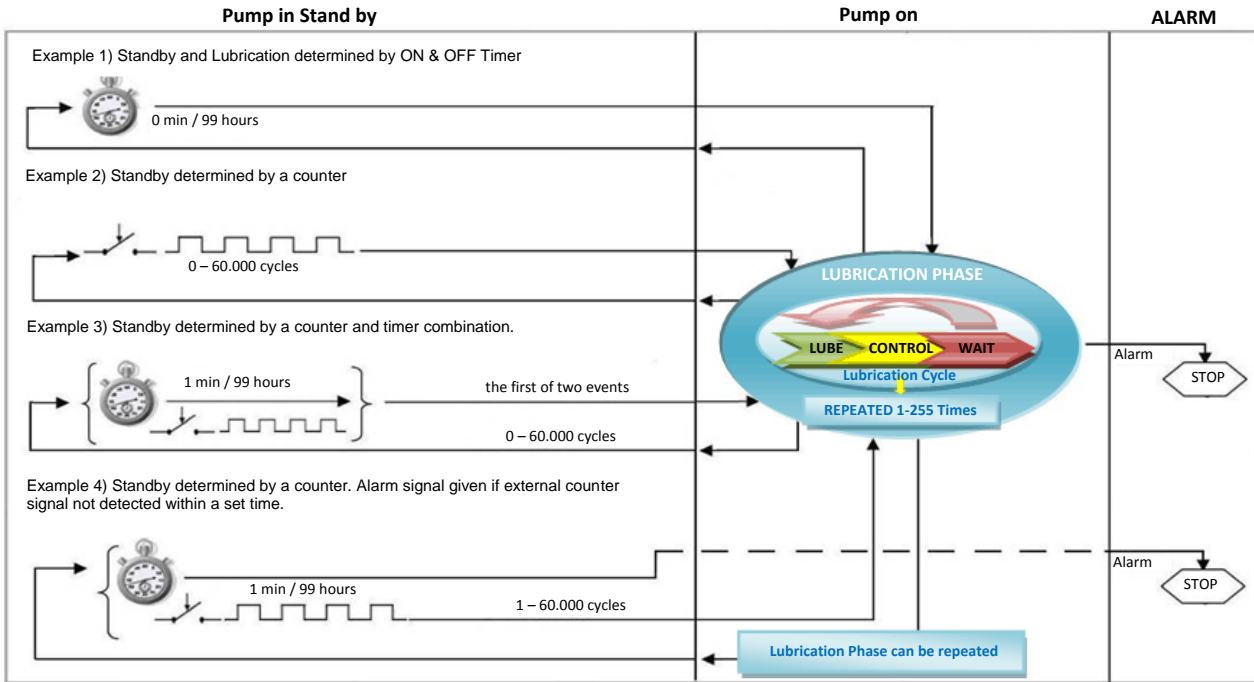




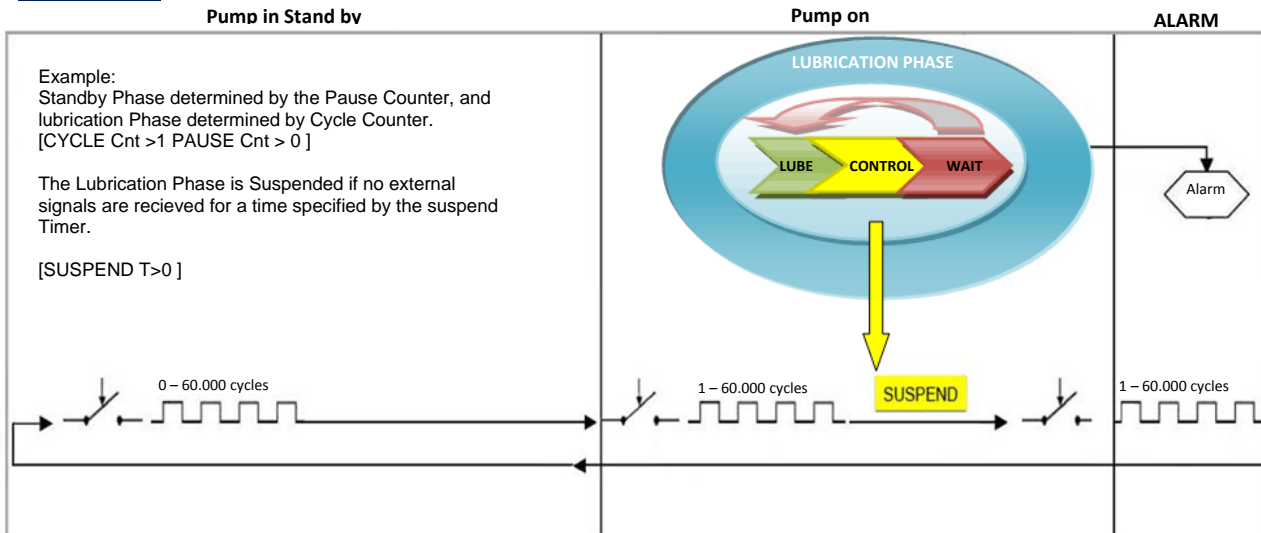
OPERATING EXAMPLES

VIP5 has three different operating modes which are determined during the setup stage. These are: **CYCLE**, **PULSE** and **FLOW**:

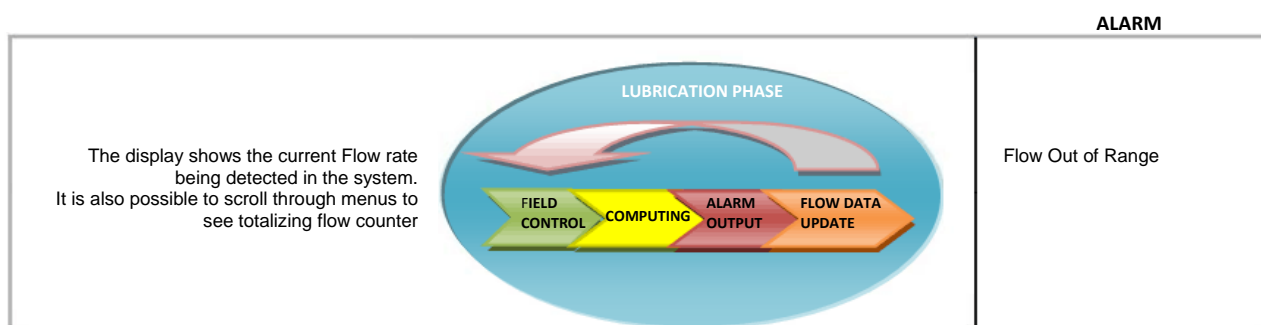
CYCLE MODE:



PULSE MODE:



FLOW MODE:



CONTACTS

www.dropsa.com
sales@dropsa.com

ITALY

Dropsa SpA
t. +39 02-250791
f. +39 02-25079767

U.K.

Dropsa (UK) Ltd
t. +44 (0)1784-431177
f. +44 (0)1784-438598

GERMANY

Dropsa GmbH
t. +49 (0)211-394-011
f. +49 (0)211-394-013

FRANCE

Dropsa Ame
t. +33 (0)1-3993-0033
f. +33 (0)1-3986-2636

CHINA

Dropsa Lubrication Systems
(Shanghai) Co., Ltd
t. +86 (021) 67740275
f. +86 (021) 67740205

U.S.A.

Dropsa Corporation
t. +1 586-566-1540
f. +1 586-566-1541

AUSTRALIA

Dropsa Australia Ltd.
t. +61 (02)-9938-6644
f. +61 (0)2-9938-6611

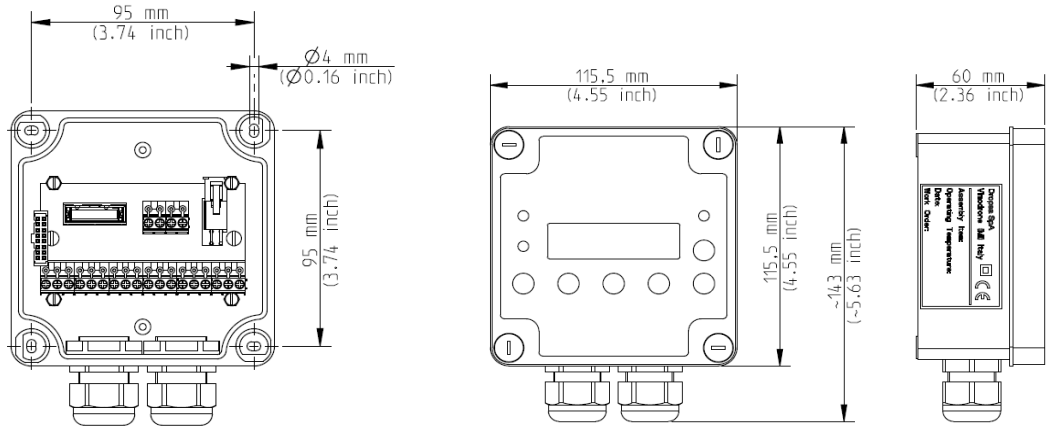
BRAZIL

Dropsa Brasil Ind.e
Com.Ltda
t. +55 (0)11-563-10007
f. +55 (0)11-563-19408

FIXING AND INSTALLATION DETAILS

The different VIP5 models are shown below with fixing dimensions:

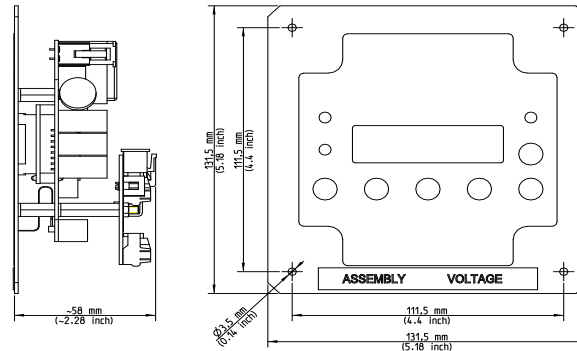
- VIP5 Plastic box (cod. 1639140/1639141/1639142)



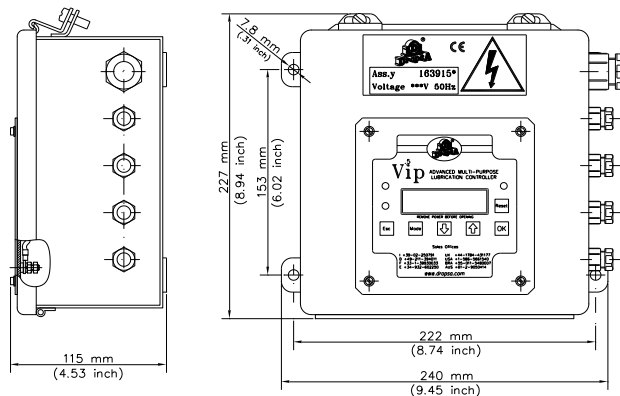
VIP5 Fixing dimensions

VIP5 Dimensions

- VIP5 Front panel (cod. 1639144/1639145/1639147)



VIP5 Steel box (cod. 1639150/1639151/1639152/1639153)



ORDERING INFORMATION

CODE	DESCRIPTION
1639140	VIP 5 230V AC 50/60 Hz
1639141	VIP 5 12/24V DC/AC
1639142	VIP 5 110V AC 50/60 Hz
1639144	VIP5 PANEL MOUNT 230V~
1639145	VIP5 PANEL MOUNT 12/24V DC/AC
1639147	VIP5 PANEL MOUNT 110V ~
1639150	VIP5 STEEL BOX 230V~ 3PH
1639151	VIP5 STEEL BOX 230V~ 3PH
1639152	VIP5 STEEL BOX 400V~ 3PH
1639153	VIP5 STEEL BOX 500V~ 3PH