



CHARACTERISTICS

- **STANDARD VERSION:**
LOADING FILTER
WITH GREASER
- STANDARD VERSION CAN BE
INTEGRATED WITH UP TO
THREE PUMPING ELEMENTS.
- **AVAILABLE PUMPING
ELEMENTS:**
FIXED Ø 8 MM WITH FLOW
RATE OF 17 CM³/MIN;
– ADJUSTABLE Ø 8 MM WITH
FLOW RATE OF 17 CM³/MIN;
PRESSURE: 300 BAR.
TANK: 5-10 KG

ADVANTAGES

- **REDUCTION OF COSTS:**
SPECIFICALLY DESIGNED FOR
APPLICATIONS THAT
REQUIRE A COMPACT AND
LOW-COST PRODUCT.
- **VERSATILE:** COMBINING
THREE PUMP ELEMENTS FOR
HIGHER OUTPUT OR
MANAGE UP TO THREE
LUBRICATION LINES.

APPLICATION

- **SMALL-MEDIUM
MACHINE TOOLS, SUCH AS
CNC OR PRESS.**
- **WIDE RANGE OF
APPLICATIONS
INCLUDING:
COMPACTORS, WOOD OR
GLASS OPERATING
MACHINES.**

THE COMPACT, LOW-COST PUMP: IDEAL FOR MEDIUM-SMALL SYSTEMS

COMPACT AND LOW COST

The **989 series** is ideal for application where space and costs are key factors. The pump integrates perfectly with the Sumo and Mini Sumo range of electric pumps, from which it inherits the main features, such as: modularity, quality and performance. For these reasons, Series 989 represents the perfect solution for an extensive range of applications.

STANDARD EQUIPMENT

The standard version is ready equipped to satisfy the requirements in small-medium machine tools applications. The pump is complete with refilling filter, electric minimum level and a pumping element.



FITS YOUR APPLICATION NEEDS

989 pump series can fit the changing needs of your application.

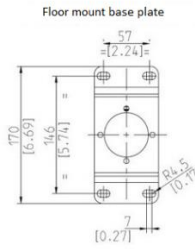
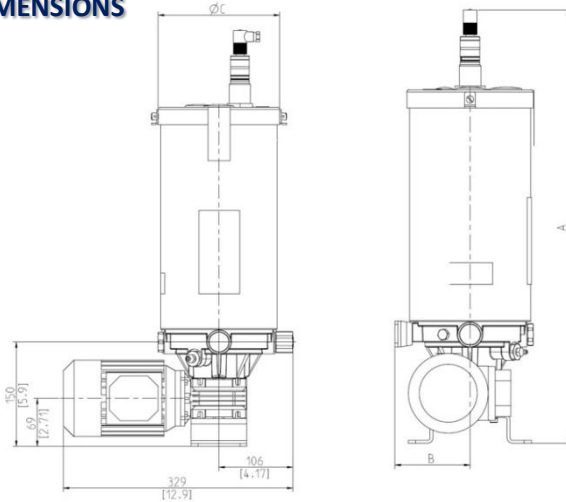
The availability of installing up to two pumping element (with fixed or adjustable delivery) gives you two different options: to triple the standard flow or connect three lubrication lines directly to the pump.

TECHNICAL INFORMATION

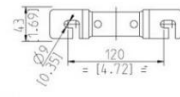
GENERAL SPECIFICATIONS	
Empty weight (5 kg reservoir)	15 kg ~ 33 lbs
Empty weight (10 kg reservoir)	18 kg ~ 40 lbs
ELECTRICAL SPECIFICATIONS	
Motor power supply	230-400V - ±10% 50Hz 280-480V - ±10% 60Hz 24V CC Insulation class F
Motor power rating	0.11 kW
Motor grade of protection	IP 54
Grease minimum level	Laser 24V cc Out NO and NC 1 threshold – Capacitive (optional greases NLGI00-NLGI000)
Oil minimum level	Float
Maximum level	Laser 24V cc Out NO and NC 1 threshold (optional)
HYDRAULIC SPECIFICATIONS	
Pumping system	Piston
Flow rate (1 pumping element)	17 cc/min (fixed) – 3~17 cc/min (adjustable)
No. of pumping elements	Max 3
Maximum operating pressures	300 bar (4351 psi)
Outlet connection	1/4" BSP
Reservoir capacity	5-10 kg (11-22 lbs)
Filling filter	Filtering grade 220 µ
Operating temperature	- 10 ÷ + 50 °C (+14~122F)
Operating humidity	90% R.H.
Permitted lubricants ⁽¹⁾	grease NLGI000~NLGI2 – Oil min 32 cst
Storage temperature	-40 ÷ +65 °C (-40~149F)
Continuous sound pressure level	< 70 dB(A)



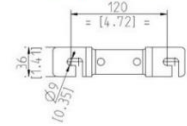
DIMENSIONS



Wall mount base plate 10 KG



Wall mount base plate 5 KG



	5 kg	10 kg
A – mm [in]	596 [23.4]	648 [25.5]
B – mm [in]	103.5 [4]	122.5 [4.8]
C – mm [in]	175 [6.88]	230 [9]

ORDERING INFORMATION

PUMP 989 v2			Base data	4°	5°/6°	7°	8°	9°	10°	11°	
			989 v2	0	00	0	0	0	0	0	
Description	DROPSA Code	CODE									
Reservoir	Without reservoir	-	0								
	5kg	0297402	1								
	10kg	0297408	2								
Electric motor	Motor not present	-	00								
	STANDARD	3301000	01								
	3PH-230/400V 50Hz 280/480V 60Hz										
	3PH-440V-60Hz	3301000-440V-60HZ	02								
	3PH-460V-60Hz	3301000-460V-60HZ	03								
	3PH-230/400V 50Hz 280/480V 60Hz UL-CSA	3301730	05								
	24V CC	3301801	10								
Pumping elements	Without pumping elements	0297418 (x3)	0								
	One fixed flow rate pumping element	0297420+0297418 (x2)	1								
	Two fixed flow rate pumping elements	0297420 (x2)+0297418	2								
	Three fixed flow rate pumping elements	0297420	3								
	One adjustable flow rate pumping element	0297430+0297418 (x2)	4								
	Two adjustable flow rate pumping elements	0297430 (x2)+0297418	5								
	Three adjustable flow rate pumping elements	0297430	6								
Minimum level	STANDARD GREASE VERSION with laser sensor 0295131, 24Vdc Out NO and NC (1 threshold)	3133885	0								
	Capacitive level (5kg) grease NLGI00/NLGI000	0297409	1								
	Capacitive level (10kg) grease NLGI00/NLGI000	0297425	2								
	Float level (5kg) oil	1655767, -3079041, -1523807	3								
	Float level (10kg) oil	1655768, -3079041, -1523807									
Maximum level	the standard pump is supplied without the max level	-	0								
	Laser 24V cc Out NO and NC (1 threshold)	3133885	1								

OPTIONAL KITS AND ACCESSORIES

CODE	DESCRIPTION	CODE	DESCRIPTION
0297420C	Fixed flow rate pumping element 17 cc/min	**0299450	External By-Pass 0~250 bar
0297430C	Adjustable flow rate pumping element 3~17 cc/min	0086450	Hydraulic inverter 60~300 bar
3133885	Laser Kit 24V cc Out NO and NC (1 threshold)	0020551	Pressure gauge 0~250 bar
3133886	Pallet kit	3292099	Pressure gauge 0~400 bar
*0888036	External By-Pass 0~250 bar		

* Available for 2-3 outlet with fixed pumps ** To be fastened to the pallet (3 inputs)

C2287PE WK 04/21

Dropsa products can be purchased at Dropsa branches and authorised distributors. Go to www.dropsa.com/contact or write to sales@dropsa.com

www.dropsa.com

Distributor Info: